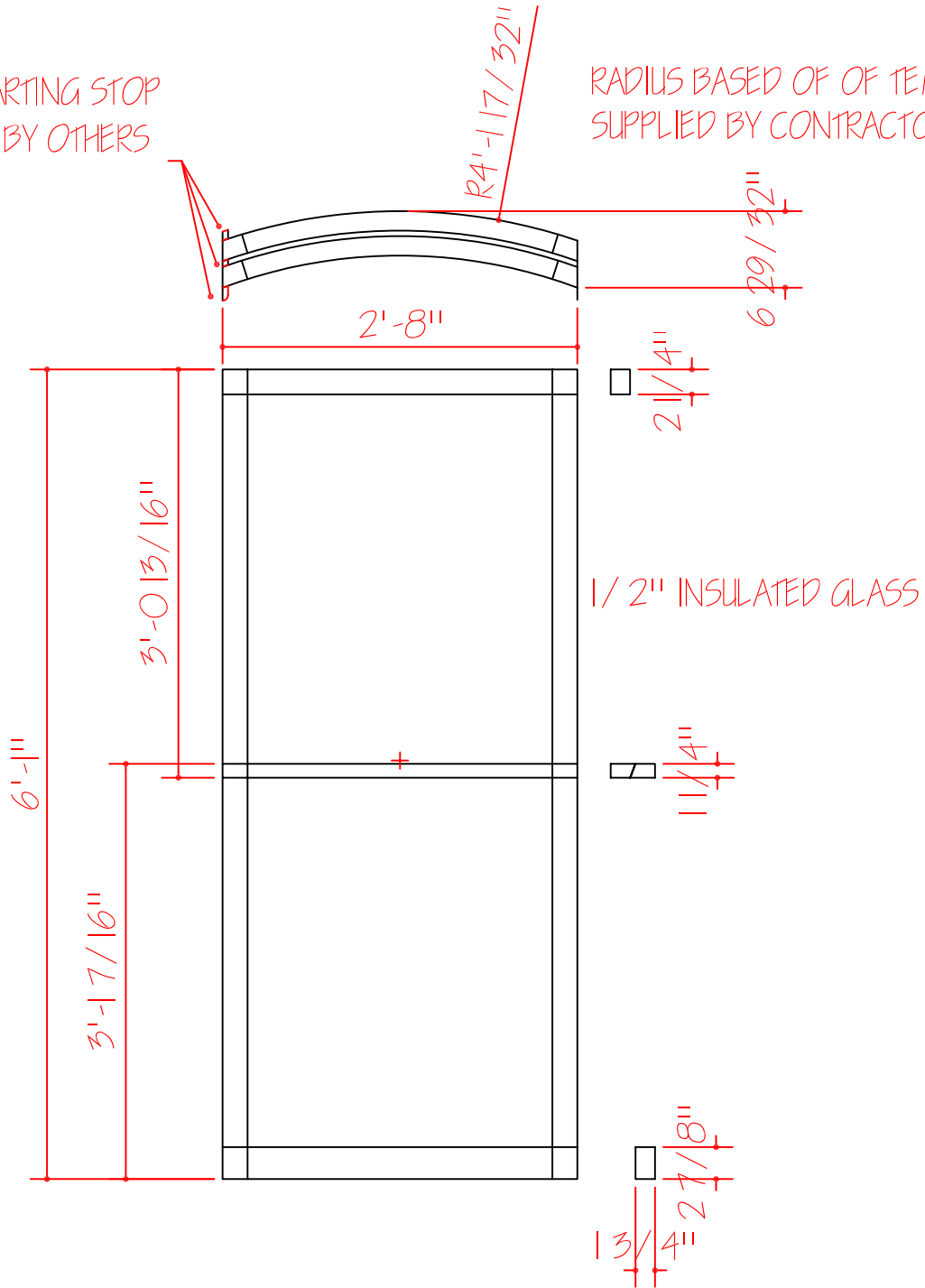


BLIND STOP, PARTING STOP
AND SASH STOP BY OTHERS

RADIUS BASED OF OF TEMPLATES
SUPPLIED BY CONTRACTOR

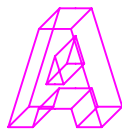


1ST FLOOR WINDOW
QTY. 1 THIS

ARCHITECTURAL SPECIALTIES, INC.

JOB NAME : SANDY STONE

ARCHITECT :



DRAWING

| | | | |
|--------------|------------|--------------|-----------|
| DRAWN BY : | JM | PROJECT NO : | - |
| CHECKED BY : | - | SCALE : | 3/4" = 1' |
| DATE : | 11-15-2002 | SHEET NO : | 1 OF 1 |